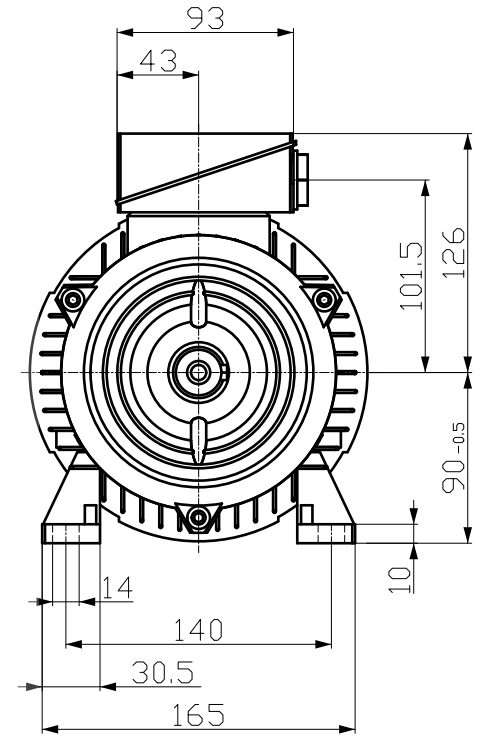
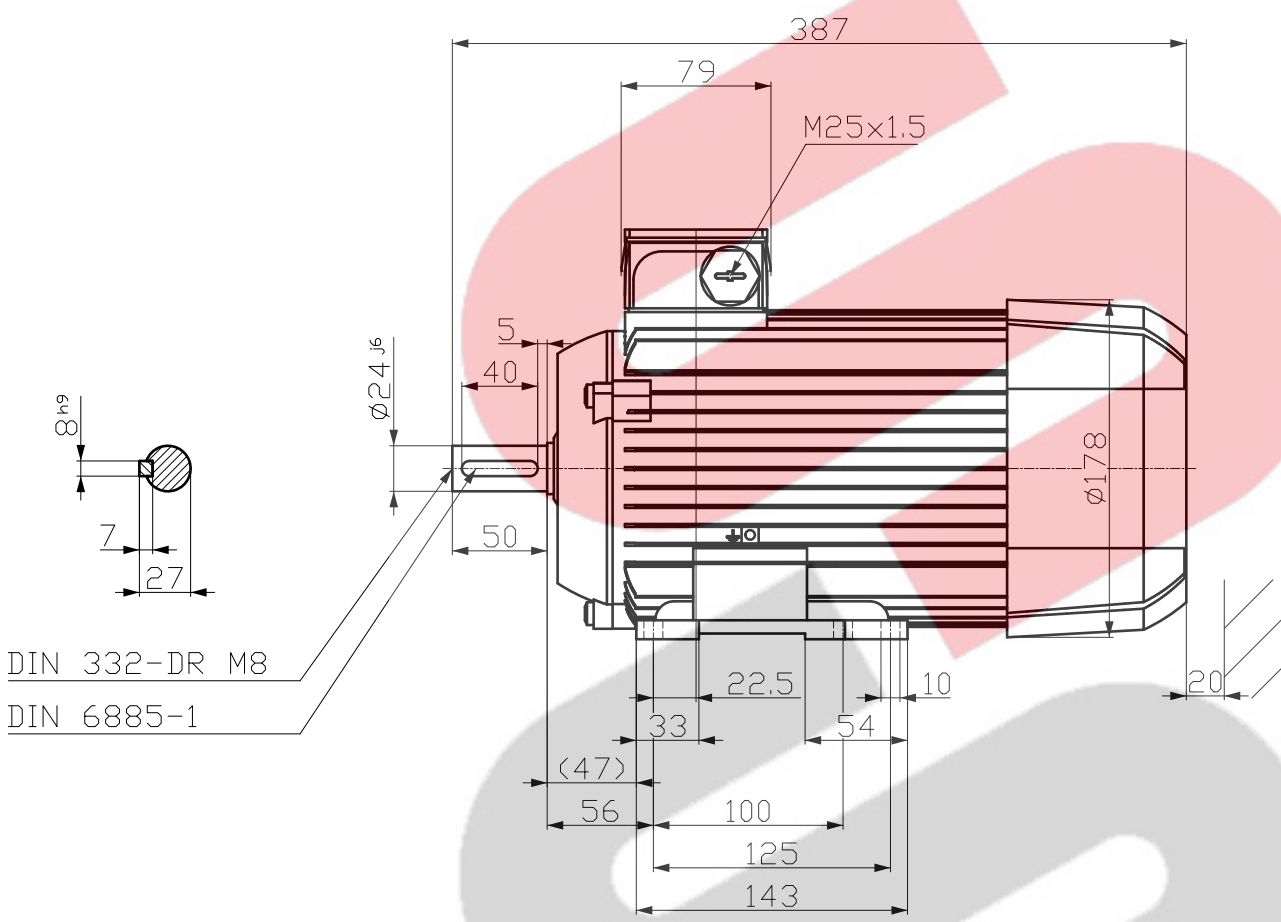


刀线管
 用转为
 文全
 图
 形
 积
 01
 02
 03
 04
 05
 06
 07
 08
 09
 10
 11
 12
 13
 14
 15
 16
 17
 18
 19
 20
 21
 22
 23
 24
 25
 26
 27
 28
 29
 30
 31
 32
 33
 34
 35
 36
 37
 38
 39
 40
 41
 42
 43
 44
 45
 46
 47
 48
 49
 50
 51
 52
 53
 54
 55
 56
 57
 58
 59
 60
 61
 62
 63
 64
 65
 66
 67
 68
 69
 70
 71
 72
 73
 74
 75
 76
 77
 78
 79
 80
 81
 82
 83
 84
 85
 86
 87
 88
 89
 90
 91
 92
 93
 94
 95
 96
 97
 98
 99
 100



DIN 332-DR M8
 DIN 6885-1

| | | | | |
|--------------------|--------------|-----------------|---------|--------------|
| Tolerance | Surface | Material | Weight | Scale |
| F50FEED001000E | Author | ÖS | É | { } |
| | Creator | ÖVS | | |
| | Approval | T a : ^ & @ } * | | |
| | Department | | | |
| | Change Order | MLFB | | Doc Type |
| | Doc. State | HFE | Item No | Paper Size |
| | Revision | Index | Doc No | 1st Language |
| | | | | 2nd Language |
| © INNO MOTICS 2023 | Project No | É | Ref No | É |
| | | | | Sheet F of F |

V&@a&@A) a\i") * ^) A[i a @ a n) A
 V&@B&@a&@A" a b @ A & @ * ^ A

SIEMENS