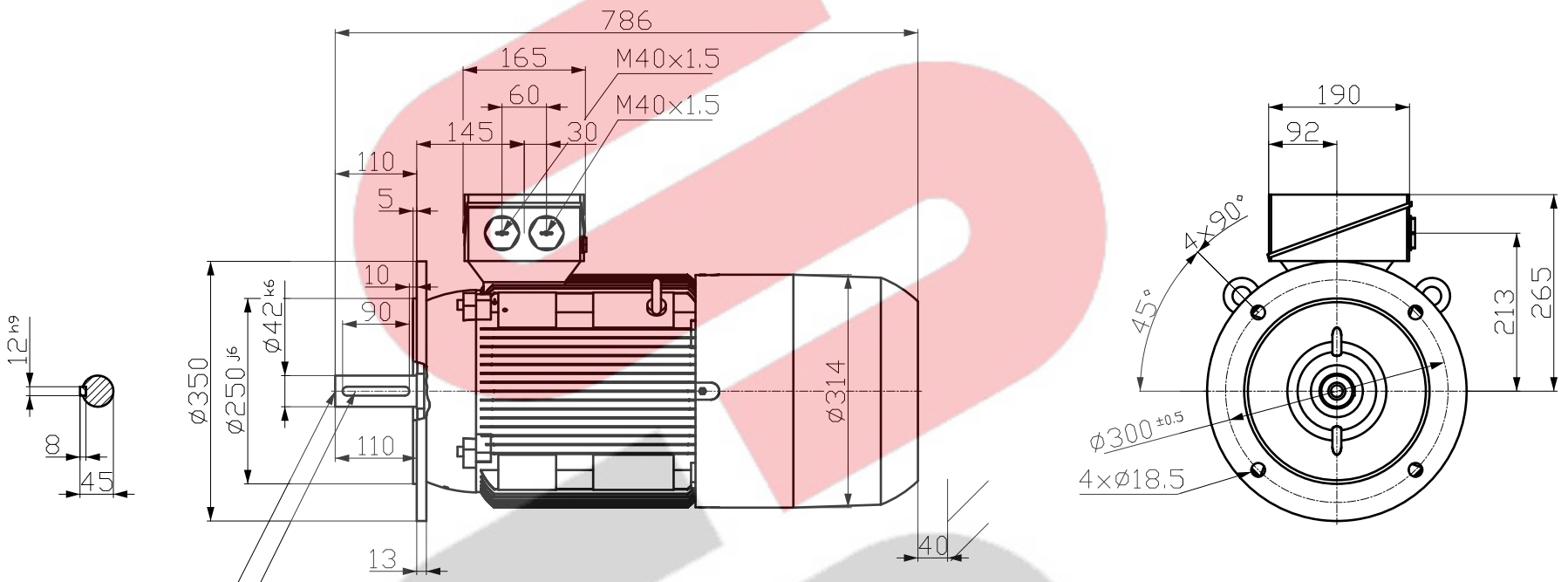


刀线管  
 用转为  
 文全  
 图  
 积  
 01  
 02  
 03  
 04  
 05  
 06  
 07  
 08  
 09  
 10  
 11  
 12  
 13  
 14  
 15  
 16  
 17  
 18  
 19  
 20  
 21  
 22  
 23  
 24  
 25  
 26  
 27  
 28  
 29  
 30  
 31  
 32  
 33  
 34  
 35  
 36  
 37  
 38  
 39  
 40  
 41  
 42  
 43  
 44  
 45  
 46  
 47  
 48  
 49  
 50  
 51  
 52  
 53  
 54  
 55  
 56  
 57  
 58  
 59  
 60  
 61  
 62  
 63  
 64  
 65  
 66  
 67  
 68  
 69  
 70  
 71  
 72  
 73  
 74  
 75  
 76  
 77  
 78  
 79  
 80  
 81  
 82  
 83  
 84  
 85  
 86  
 87  
 88  
 89  
 90  
 91  
 92  
 93  
 94  
 95  
 96  
 97  
 98  
 99  
 100



DIN 332-DR M16  
 DIN 6885-1

Tolerance	Surface	Material	Weight	Scale
F50F1 H8/D9 FZ 0.05/0.03	Author Creator Approval Department Change Order	ÖVS T a e : ^ & @ } * MLFB	Ë	{ {
SIEMENS	Doc. State	Item No	Paper Size	
	Revision	Index	RS	Doc No
© Siemens AG 2023	Project No	Ë	Ref No	Ë
				1st Language ^ 2nd Language â^
				Sheet F of F

V&@ a&@A) aV) \*^ A[ i a^ @a) A  
 V&@ B&@a&@A^ A^ a b &@ A &@ \*^ A