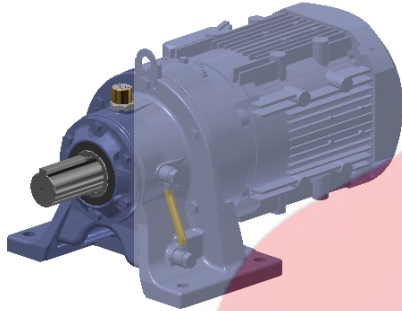


Product Configuration Technical Specification Sheet

Cyclo® 6000



Basic Product Information	
Model Number	CHHM5-6145YC-EP-29
Cyclo® Frame Size	6145
Housing Style	(H) Foot Mount
Shaft Orientation	(H) Horizontal
Output Shaft Specification	(Y) Standard Inch Size
Input Configuration	(M) Integral Motor

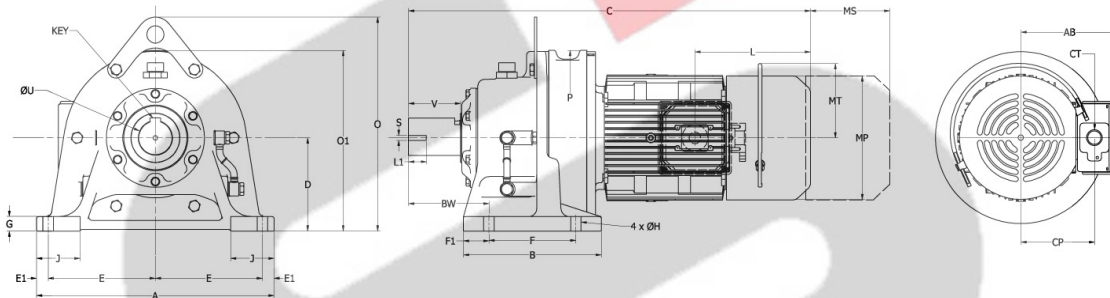
Application Information	
Ratio	29
Input / Output RPM	1750 / 60.3

NOTE: Information displayed on this technical specification sheet will vary, as it is based upon your actual selections. Please see next page for more configuration specific information.

Dimensions shown are for reference only and are subject to change without notice, unless certified. Certified prints are available after receipt of an order; consult factory for more information. Image shown is representative and may not reflect actual unit and/or orientation.

Unmatched Reliability, Exceptional Performance

Cyclo® speed reducers and gearmotors are designed to withstand shock loads exceeding 500% of their ratings



Units: inch Approximate Weight: 175 lb

Casing	A	B	C	D	E	E1	F	F1	G	H	J	O1	O	P	P1	BW
	12.99	7.68	23.03	5.91	5.71	0.79	5.71	0.98	0.87	0.71	2.56	-	11.93	9.06	-	4.72

Output Shaft	U	UTOL.	V	S	L1	KEY
	1.8750	0 / -0.0006	3.54	3/8-16UNC	0.79	1/2 x 1/2 x 2.95

Integral Motor	AB	L	MP	MS	MT	CP	CT
	7.34	4.65	□8.75	-	-	5.75	NPT 3/4

Product Configuration Technical Specification Sheet

Input Configuration		Product Ratings	
Input Stage Frame Size	613	Application or Motor Input Power	4.96 HP
Gearmotor		Service Factor	2.04
Motor Series	EPNA Prem. Eff. UL/CSA	Calculated Output Torque	4920 in-lbs
Motor Frame / Type	N-112M / TEFC	Rated Input RPM	1750
HP x Pole Rating	(5) 5HP [3.7kW] 4P	Rated Output RPM	60.3
Motor Voltage Rating	230/460V, 60Hz, 3Phase	Product Rated Input Power	10.1 HP
Motor Shaft Direction	Horizontal	Product Rated Output Torque	10000 in-lbs
Conduit Box Type	Global Type	Product Overhung Load Capacity	3180 lbf
Inlet Size	NPT 3/4		
C. Box / Port Direction	N33 / N3B	Reducer Options	
Add Brake	No	Mill Duty	Option Not Selected
		Chemical Duty	Option Not Selected
		Dusty, Weather Proof IP54	Option Not Selected
		Food & Washdown Options	None Selected
		Ductile Iron Housing	Option Not Selected
		High Capacity Bearing	Option Not Selected
		Shoulder Bolts / Dowel Pins	Option Not Selected
		Eccentric Backlash Reduction	Option Not Selected
		Severe Duty Breather	Option Not Selected
		Glass Sight Oil Gauge	Option Not Selected
		Magnetic Drain Plug	Option Not Selected
		Drain Valve	Option Not Selected
		Seal Options	Nitrile Seal
		Double Output Oil Seals	Option Not Selected
		Paint Specification	Danube Blue

Lubrication Specifications	
Lubrication Requirement	Standard Lubrication
Lubrication Method	Oil Bath
Lubrication Option	Standard Oil (Not Filled)

Environmental Specifications	
Installation Location	Indoor
Ambient Temperature	14° - 104°F (-10° - 40°C)
Ambient Humidity	Under 90%
Environment	Standard
Food Grade Required	No
Elevation Above Sea Level	Under 3300 ft/1000 m

Configuration Messages	
Output Shaft Overhung Load (OHL) Capacity	
The Output Shaft OHL Capacity needs to be checked if Output Shaft is not direct coupled to the application. Using the Product Overhung Load Capacity value from the Selection, please check it against the actual OHL using the method described in the Catalog. If Cyclo unit will see significant vibration from the application and the Cyclo output shaft will not be direct coupled to the application, please consult the Factory for additional guidelines on Service Factor adjustment.	

All Configuration data contained within this technical specification sheet is subject to change. Please refer to Sumitomo Drive Technologies' Terms and Conditions located at smcyclo.com for further information. For more specific product and/or application data, please contact your Sumitomo Drive Technologies' Representative.

To request a catalog, or for more information, on any of our high quality products, please visit our website: www.sumitomodrive.com.

Thank you for your interest in Sumitomo products.