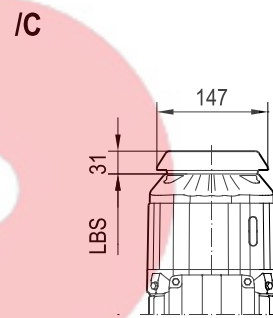
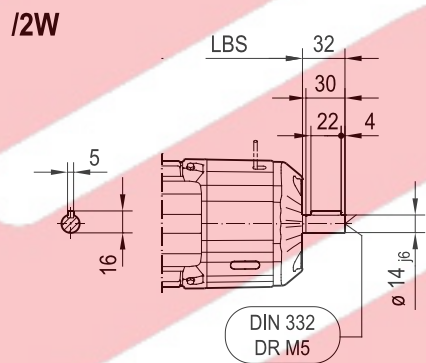
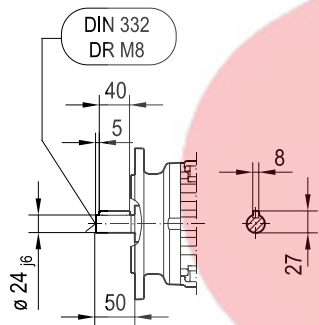
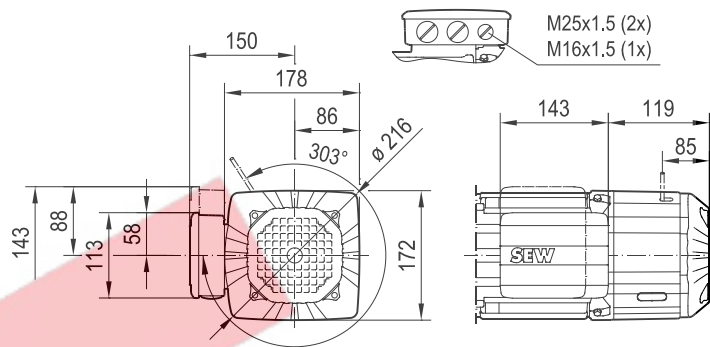


DRN90S 2,4,6,8 BE  
 DRN90SR 6 BE  
 DR2S90S 2,4,6 BE  
 DR2M90L 8 BE  
 DR2L90S 4 BE  
 DRN90L 2,4,6,8 BE

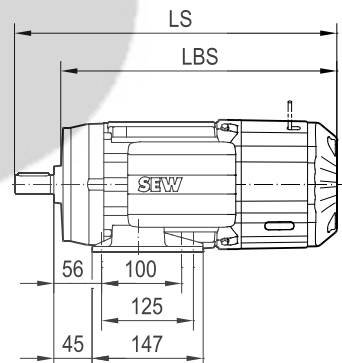
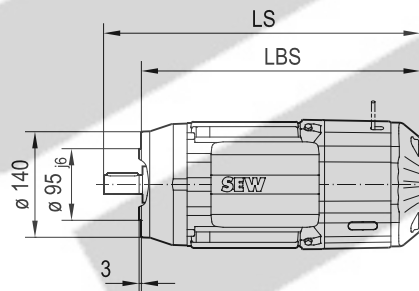
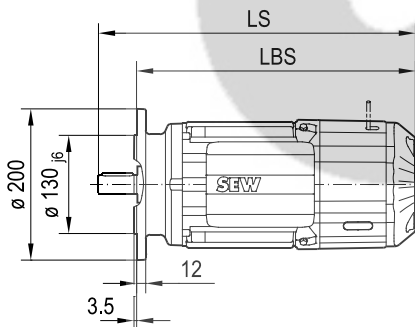
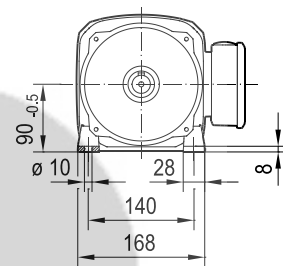
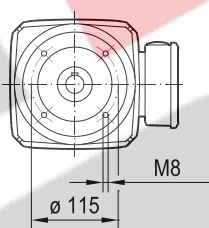
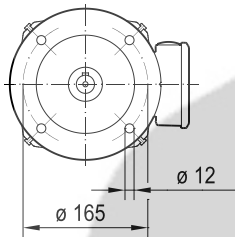
09 932 06 14  
 1(2)



/FF (B5) FF165D200

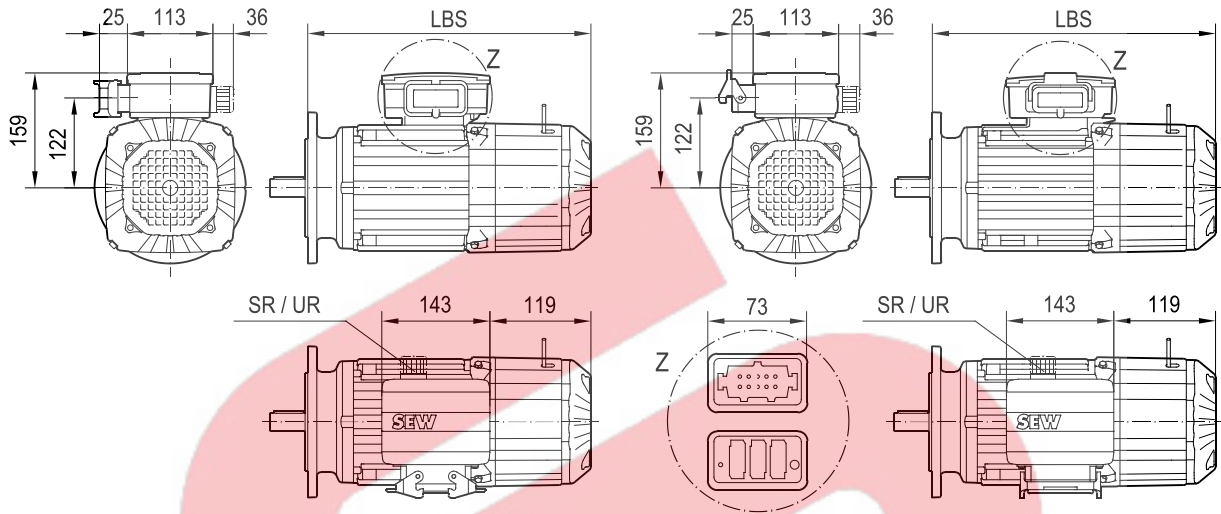
/FT (B14) FT115D140

/FI (B3)

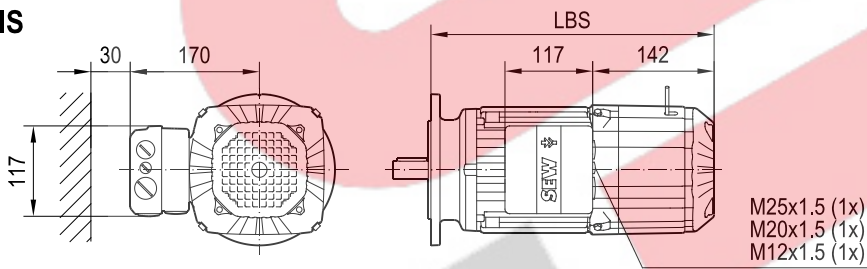


(→)	90S(R)	90L					
LS	425	457					
LBS (B5/B14)	375	407					
LBS (B3)	373	405					

**/IV**



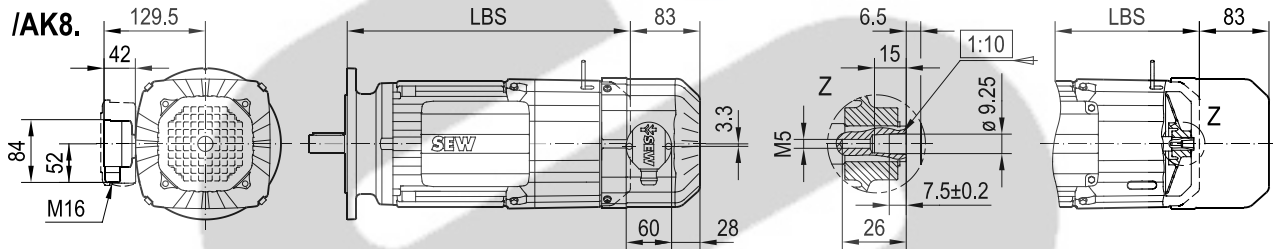
**/IS**



**/EK8.**

**/AK8.**

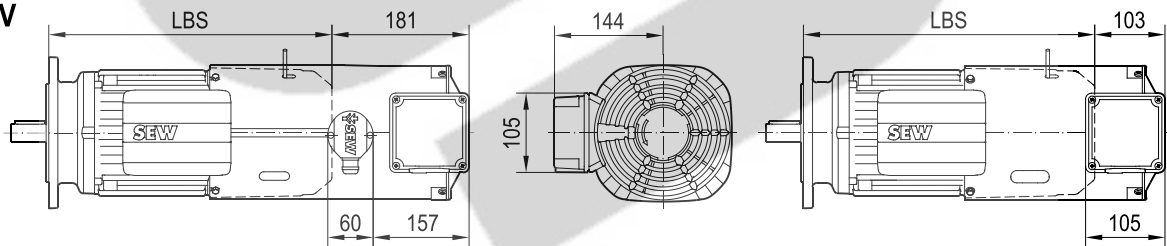
**/EK8A**



**/EK8./V**

**/AK8./V**

**/V**



(→ □)	90S(R)	90L					
LS	425	457					
LBS (B5/B14)	375	407					
LBS (B3)	373	405					