

VIBRATOR TECHNICAL DATA SHEET

MODEL: MVSI 15/1410-S02 230/460V 60Hz 3PH

SERIE: AE FRAME SIZE: 40 P/N: 601217C

IP66

RPM 1800

MECHANICAL CHARACTERISTICS

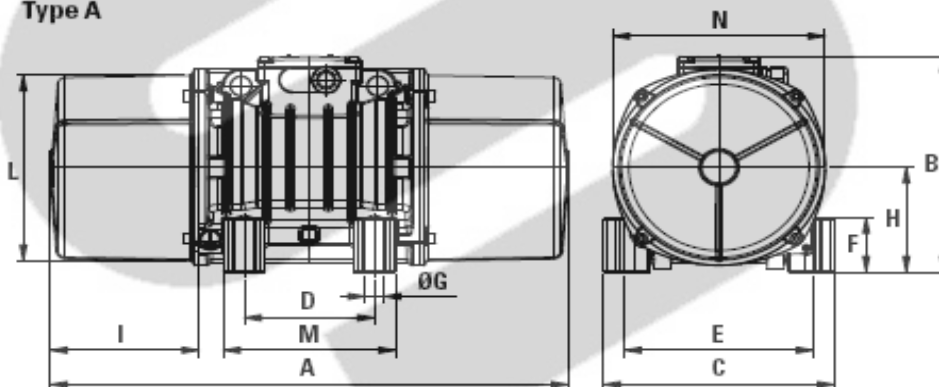
Weights Position %	Static moment		Centrifugal Force			Bearing Life w/1.3 Load Factor	Bearing Life w/1.0 Load Factor
	kgmm	in.-lb	kg	lb	kN		
100	400	34,8	1449	3188	14,2	13157	31548
90	360	31,3	1304	2869	12,8	18698	44834
80	320	27,8	1159	2550	11,4	27698	66414
70	280	24,3	1014	2231	9,95	43244	>100000
60	240	20,9	869	1913	8,53	72331	>100000
50	200	17,4	725	1594	7,10	>100000	>100000
40	160	13,9	580	1275	5,68	>100000	>100000
30	120	10,4	435	956	4,26	>100000	>100000
20	80,0	7,0	290	638	2,84	>100000	>100000
10	40,0	3,5	145	319	1,42	>100000	>100000

Weight:	37,5 kg (82,5 lb)	Bearing:	NJ 2208 E C4
Working Moment:	80 kgcm (69,6 in-lb)	Dynamic load:	18282 lb (8310kg)
Max Static Moment:	400 kgmm (34,8 in-lb)	Lube schedule:	4500 hours

ELECTRICAL CHARACTERISTICS

			in-lb	Nm
Nominal input voltage:	230	460	42,82	4,8
Nominal current (amps):	3,0	1,5	74,13	8,31
Start current (amps):	12,6	6,3	146,29	16,4
Start/Nom. current ratio:	4,2		Start/hom. torque ratio: 1,73	
Input power (watts):	1050		Max/nom. torque ratio: 3,42	
Output power (hp):	1,2		Starting time (sec): 1,41	
Service Factor:	1,0		Duty cycle: continuous	
Efficiency:	85%		Max. Ambient Temp.: +40°C (104 F)	
Slip:	7%		Inertia kgm ² (lb-ft ²): 0,17260 4,7862	
Power factor:	0,88		Inverter Duty: 20Hz to 60Hz	
Coil resist (Ω @ 20°C):	15,0			
Insulation class:	F			
Locked Rotor Code:	D			





Type A



	in.	mm
A:	17,64	448
B:	9,61	244
C:	9,06	230
D:	5,51	140
E:	7,48	190
ØG:	0,67	17
F:	1,77	45
H:	4,57	116
I:	4,25	108
L:	8,15	207
M:	7,48	190
N:	8,86	225

External cable diam.:	9-16mm 0,354-0,630 inch
Service length req.per side:	108 mm (4,25 inch.)
Mounting bolts:	M16 - (5/8")
Mounting bolt torque:	19kgm (137 ft-lb)

Approvals and certifications

	ATEX 2014/34/UE - IECEx - UK SI II2D Ex tb IIIC T120°C Db
	CSA C22.2 N°100-95 Class 4211 01 Class II, Div. 2, Gr.FG, T3B
	TR CU 012/2011 Cert. N° RU C-IT.HB07.B.00614/22
	
	Ex tD A21 IP66 T120°C Cert. N. 2020322301003125